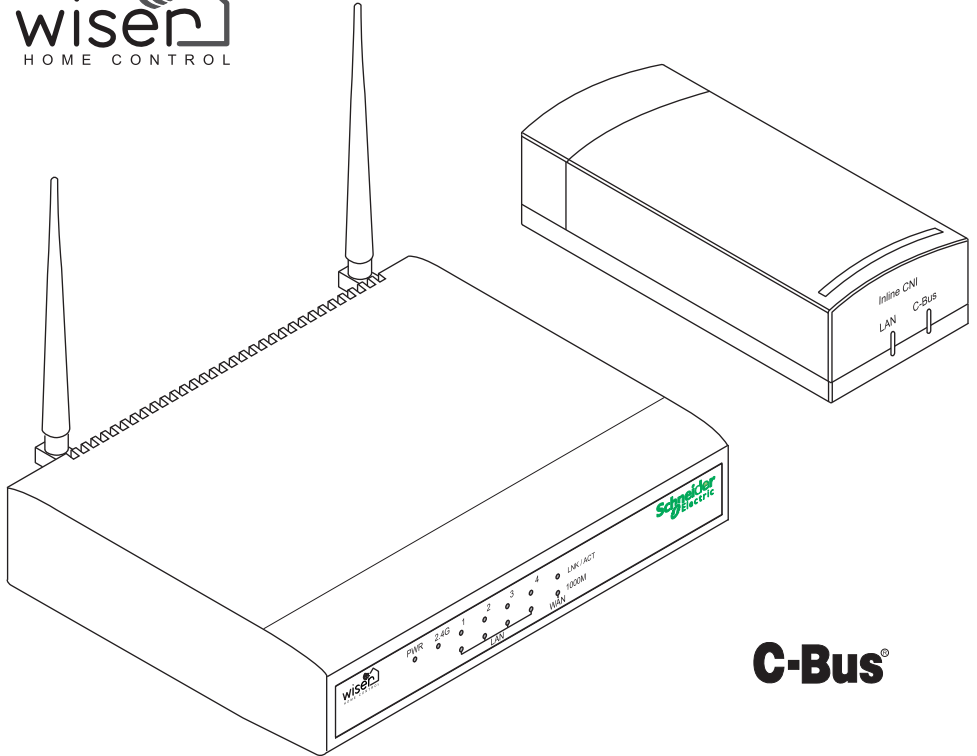


# Wiser Home Controller 1.5

## WHC\_5918A

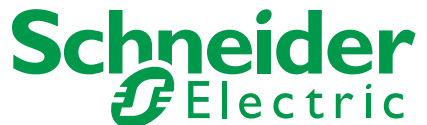
### Installation Instructions



**C-Bus®**

This document is provided on the USB thumb drive supplied with the Wiser Home Controller. The document is available on the Internet at <http://www.clipsal.com/>. Use this document in conjunction with the Setup Instructions and the Help files included with the software products from Schneider Electric.

Be sure to follow all safety information included in the documents and on the product.



# Contents

<b>1.0 Introduction .....</b>	<b>3</b>
<b>2.0 Safety and Product Handling .....</b>	<b>5</b>
<b>3.0 Features.....</b>	<b>6</b>
<b>4.0 Configuration Options .....</b>	<b>4</b>
4.1 WHC Router connected to Customer's LAN (Opt. A) .....	5
4.2 WHC Router as path to IP Devices (Opt. B) .....	5
4.3 Customer's Modem in Bridge Mode (Opt. C).....	5
4.4 Setting Up a Wireless LAN .....	6
<b>5.0 Installation .....</b>	<b>7</b>
5.1 Location and Required Connections .....	8
5.2 C-Bus Network Connections .....	8
5.2 WHC Router to CNI Connection .....	9
5.3 Ethernet Connections .....	9
5.4 Power Supply and Cable .....	10
<b>6.0 Installing the Software Tools .....</b>	<b>10</b>
<b>7.0 Configuring the WHC Router .....</b>	<b>15</b>
7.1 Accessing the User Interface (UI) .....	14
7.2 Setting up the Router for your Application .....	15
7.3 Password and Security Setup .....	15
<b>8.0 Setting up the Inline CNI .....</b>	<b>16</b>
8.1 Using the Control Systems IP Utility .....	14
8.2 Adding the CNI to the C-Bus Network .....	15
<b>9.0 Setting up the Monitoring and Control Interface .....</b>	<b>16</b>
9.1 Introduction to Piced Configuration Software .....	17
9.2 Setting up Control over the Internet .....	18
<b>10.0 Troubleshooting Guide.....</b>	<b>20</b>
<b>11.0 Settings Summary .....</b>	<b>21</b>
<b>12.0 Electrical Specifications .....</b>	<b>22</b>
<b>13.0 Standards Complied .....</b>	<b>24</b>
<b>10.0 Warranty Statement.....</b>	<b>25</b>

## 1.0 Introduction

Thank you for purchasing the WHC\_5918A Wiser Home Controller. The home controller unit provides an easy-to-use graphical user interface (GUI) to access the home C-Bus network and other home applications. The Wiser Home Controller lets you monitor and control your home environment locally, or remotely over the Internet.

### Packaged Components

Check the contents of the shipping box for the items shown in Figure 1. If any parts are damaged or missing, contact your Schneider Electric sales representative.

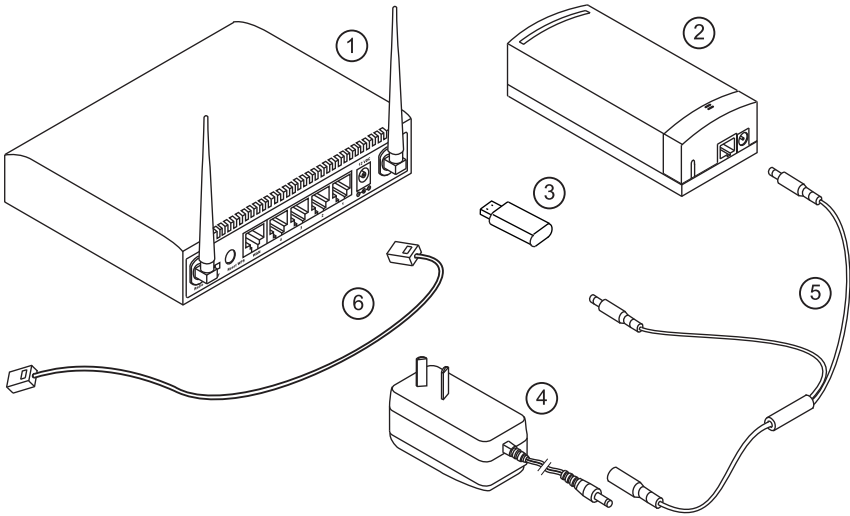


Figure 1. Wiser Home Controller: router, Inline CNI and supplied parts

Figure Ref.	Component Description
1	Wiser Home Controller router
2	Inline C-Bus Network Interface (CNI)
3	USB thumb drive (contains setup information and documents)
4	AC/DC power supply
5	Power supply splitter cable
6	Ethernet cable (Cat5e UTP with two RJ end connectors)

Note: Additional cables and connectors are needed to complete the connections to your home networks. Use only the specified types of cables and connectors for the installation.

## What You Need to Begin

In order to install and configure your Wiser Home Controller, you need the following items:

- **Personal Computer** (not supplied) with the following resources:
  - Windows Operating System: Windows XP, Windows Vista, Windows 7
  - Internet Browser
  - Network Interface Adapter (for connection to the customer's modem)
  - Available USB port (for connection to the supplied USB thumb drive)
  - Sufficient disk drive space and memory to handle the software utilities
- **ADSL modem** (not supplied) that is capable of accessing the Internet.
  - A network port is needed for (1) a temporary connection for downloading software programs to the PC and (2) a permanent connection to the Wiser Home Controller.
- **Network Cable** (not supplied) to connect the Modem to the Wiser Home Controller.
- **C-Bus Network Cable** (not supplied) to connect the C-Bus Network Interface unit to a working C-Bus network.
- **Power outlet** for the AC/DC power supply.

You will also need Ethernet cables and C-Bus network cable (not supplied) to make connections to your home networks.

## Software Requirements

You should attach the PC being used for setup to a working Ethernet network. You are required to download software utilities from the Internet as part of the setup process. The software is used to connect and configure the equipment.

The provided USB drive (thumb drive) contains the link to the required Wiser software package. Open the readme.htm file and follow the instructions. Also, download the latest version of Clipsal by Schneider Electric software from the Internet at <http://clipsal.com/cis/>.

The following table lists the software programs from Schneider Electric that are applicable to the Wiser Home Controller.

Software Product	Purpose	Rev. Level
Wiser Software Package	Wiser product software	see Note
C-Bus Toolkit Software	Configures the C-Bus network and creates project files.	
Control Systems IP Utility	Locates components on the network and resolves IP Address issues.	
PICED	Configures the Wiser Graphical User Interface (GUI) and creates the configuration files that are transferred to the Wiser unit.	

Note: The USB thumb drive contains a Read.me file that directs you to the latest version of the Wiser firmware and software files.

## 2.0 Safety and Product Care

The router and CNI are designed for indoor use in residential and commercial locations.

The equipment must be installed by qualified personnel who have knowledge of network setup and configuration.

The Wiser Home Controller is designed to operate continuously over long periods without attention from the user. Therefore, it is important to install and locate the equipment where it will be protected from heat, dust, moisture and physical damage.

### Warnings and Cautions

Pay careful attention to all cautions and warnings found on the equipment and in the documentation.

A 'WARNING' box alerts you to a hazard, that if ignored, could cause injury or a dangerous condition. A WARNING box also tells you how to avoid dangerous actions.

A 'Caution' box warns you that certain actions could cause damage or erratic operation to the equipment or nearby property. Note that damage to the equipment might not be immediately detected.

#### **WARNING** Connected Equipment Can Turn On and Off Unexpectedly.

C-Bus can control motors, heaters and relays that are switched automatically. These devices can turn on or off unexpectedly and could cause serious injury. Always remove power from connected devices before performing maintenance.

#### **Caution** Do not connect C-Bus to the Ethernet LAN.

The C-Bus network and the Ethernet LAN are NOT electrically compatible. Wiring errors will cause damage to the equipment and erratic network performance. This could cause a potentially dangerous condition.

### Important Installation Notes

When installing the Wiser Home Controller, follow these guidelines:

- Choose a location for the router and CNI that provides protection from heat, dust, and moisture. Do not subject the equipment to direct sunlight.
- Place the equipment away from power lines, motors and other sources of electrical or radio interference.
- Place the equipment and the cables where they will not be damaged by people moving about. Do not place other objects on top of the equipment.
- Do not disassemble or attempt to modify the equipment. There are no user serviceable parts inside.
- Do not block the ventilation holes on the router unit. Allow free space around the router for best results.

## 3.0 Features

The Wiser Home Controller gives the homeowner the ability to monitor and control a wide range of devices locally or over the Internet. Some typical applications include:

- **Lighting of many types.** Provides switching, timers, dimming and scene control.
- **Climate control (HVAC).** Includes scheduling, energy management, and zone control.
- **Blinds and Curtains.** Provides manual control as well as automation and scene control. Can also control shutters, gates and doors.
- **Multi-Room Audio (MRA).** Distributes selected audio program material to multiple zones. Includes remote transport control and streaming audio.
- **Security devices.** Monitors cameras, motion sensors and intrusion detection devices and reports to the home security system and over the Internet.

### Wiser Controller and Inline C-Bus Network Interface

The Wiser Home Controller unit is built on an edge-router platform that enables the installer to configure the unit as either of the following:

- Local Area Network (LAN)
- Wide Area Network (WAN)

These configuration options allow the Wiser Home Controller to form the boundary of the home network and allows the Wiser to be accessed locally, or remotely through the Internet. Refer to the Configuration Options section of this document.

The Wiser Home Controller includes a wireless (Wi-Fi) access point that supports 802.11 B/G/N with security.

The Inline C-Bus Interface (CNI) provides an electrically-isolated data path from the router to the C-Bus network. The CNI has a dedicated connection to one of the LAN ports on the router using an Ethernet cable with RJ45 connectors. The C-Bus connection uses a two-wire twisted pair terminal. The main functions of the CNI include:

- Programming (configuring with Toolkit) the C-Bus network using a PC and the Wiser Home Controller
- Transferring information to and from the Wiser UI and the C-Bus network
- Provide a C-Bus system clock, when necessary.

A single AC/DC power supply provides power for both the router and the CNI. A splitter cable connects to the power supply and then to the router and CNI.

### System-Level Features

The Wiser Home Controller provides many beneficial features that enhance the C-Bus network's capabilities. Some of the important features of the Wiser include:

- The On-board clock synchronised with the Internet using Real Time Protocol (RTP) ensuring accuracy and recognition of daylight savings changes.
- Includes on-board Web server, email and RSS feed clients.

- Supports both static and dynamic IP addressing.
- Supports dynamic DNS client for popular DNS services.
- Contains a full C-Bus Logic engine. Capable of issuing commands, as well as running schedules and scenes to a C-Bus network.
- Supports applications including lighting, climate, blinds/curtains, multi-room audio, security and surveillance control.
- Can support up to six local Web cameras for surveillance.
- User Interface (UI) can be viewed using Web browser, Vista Media Centre or using a stand-alone Flash Projector file.

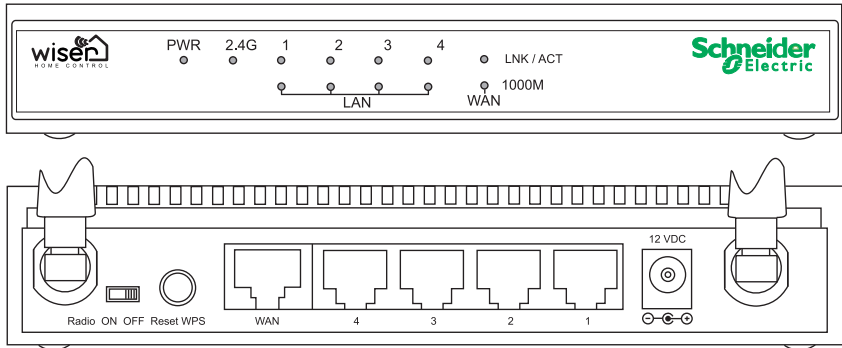


Figure 2. Features of the Wiser Home Controller router

LED Name	Light Status	Description
PWR	On	Router is switched on and correctly powered.
2.4G	On	2.4GHz Wireless WPS function is enabled.
	Off	2.4GHz Wireless network is switched off.
	Flashing	2.4GHz Wireless LAN activity (transferring or receiving data).
LAN 1-4		
LNK/ACT	On	LAN port is connected.
	Off	LAN port is not connected.
	Flashing	LAN activity (transferring or receiving data).
1000M	On	LAN port is linked at 1000Mbps speed.
	Off	LAN port is linked at 10/100Mbps speed.
WAN		
LNK/ACT	On	WAN port is connected.
	Off	WAN port is not connected.
	Flashing	WAN activity (transferring or receiving data).
1000M	On	WAN port is linked at 1000Mbps speed.
	Off	WAN port is linked in 10/100Mbps speed.

## 4.0 Configuration Options

In this section, several configuration options are presented. Select the one that is most effective for your application.

Option	Configuration	Reference
Option A	WHC using the WAN port. Customer's IP devices are connected to the WHC LAN.	Subsection 4.1
Option B	WHC LAN is connected to the WAN on the Customer's router.	Subsection 4.2
Option C	Customer's modem in bridge mode. WHC communicates directly with the Customer's ISP.	Subsection 4.3
	Setting Up a Wireless LAN	Subsection 4.4

**Note:** The WHC\_5918A is not a modem. You must connect the router to an Internet connection, NOT a telephone line. A broadband modem is not provided as part of Home Controller.

The following table can be helpful in deciding which of the three basic options is best suited to the customer's needs.

Feature	Option A	Option B	Option C
WAN access for programming and configuration.	Yes	Yes note 1	Yes
All traffic is routed through the WHC router.	Yes note 3	No	Yes note 3
Minimal disruption to customer's network.	No	Yes	No
Can use all switch ports on the customer's router.	No	Yes	No
Requires changing customer devices IP addresses.	Yes note 2	No	Yes note 2
Migrate the customer's wireless devices to the WHC router's LAN.	Yes	Yes	Yes
Requires changing the controller unit's IP address.	No	Yes	No
Requires port forwarding for remote access.	Yes	Yes	No
Need to disable one DHCP server.	No	Yes	No
Single router in system.	No	No	Yes
Dyn DNS.	No	No	Yes
Requires the ability to put modem/router in bridge mode.	No	No	Yes
Single IP network (subnet).	No	Yes	Yes

- Notes:**
1. Requires port forwarding (see Section 4.2).
  2. Unless the controller is changed to 1.9.168.1.x.
  3. This might create problems if the customer is using VOIP or other settings, such as port mapping that are not supported by the controller.



Figure 3 Shows a typical cabling diagram (Option B, wired LAN). Use this diagram as a reference during the hardware installation process. You might be required to use different cable connections based on the configuration option chosen.

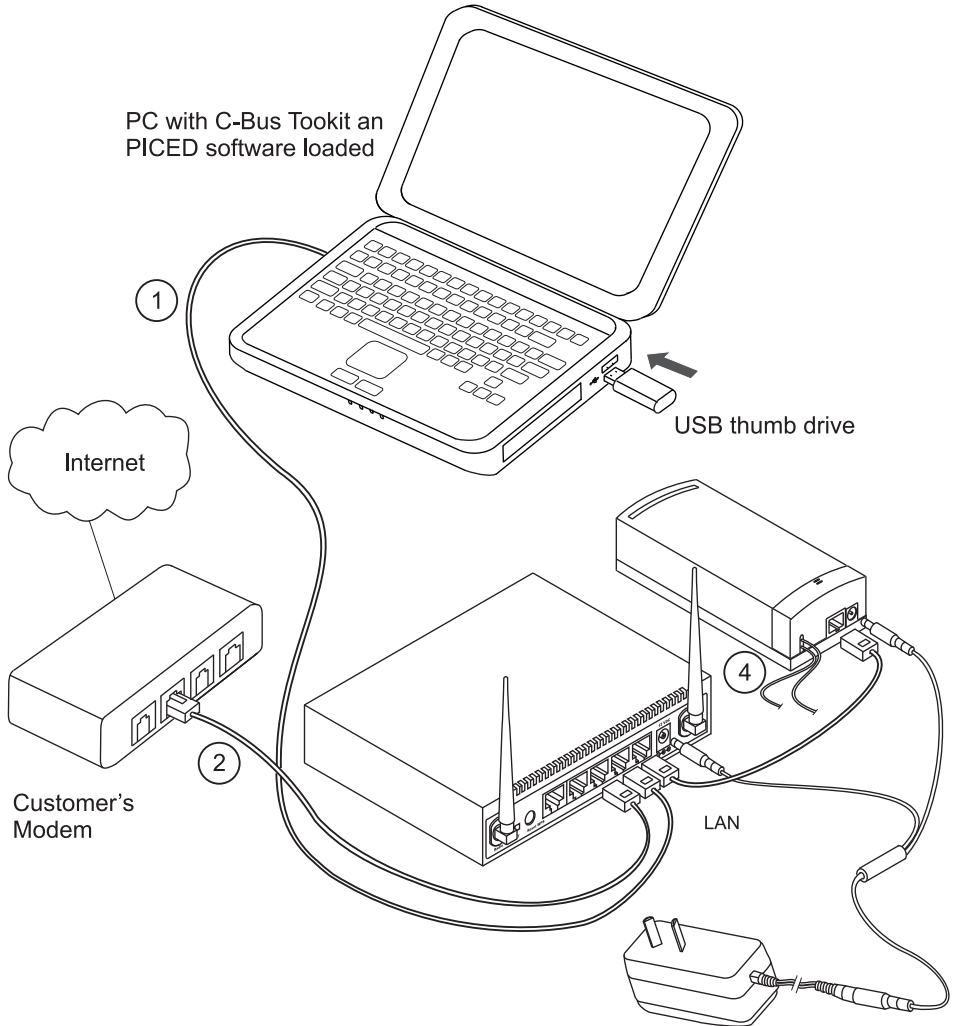
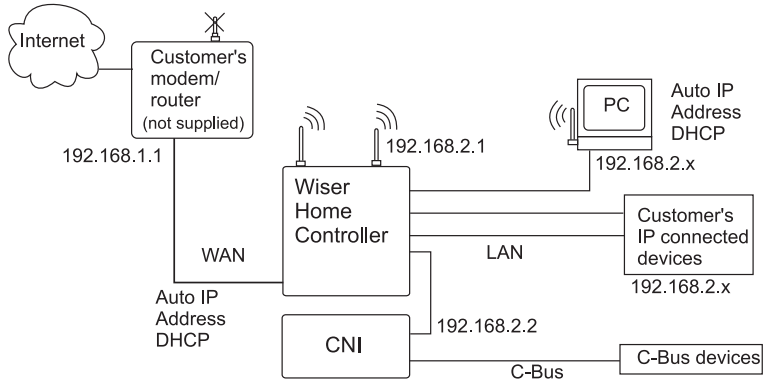


Figure 3. Typical cabling configuration (Option B, wired LAN shown)

A similar diagram for wireless connection of the PC is found in the section describing wireless setup. The PC used for configuration can be connected to the Wiser Home Controller router using a wireless or cabled connection. Do not attempt to use both connection methods at the same time.

### 4.1 Option A. Using the WAN Port

When using Option A, you must re-establish the IP addresses of the customer's IP connected devices to subnet 2. You might have to configure static IP addresses. If you are using wireless devices, you must also configure the wireless LAN on the Wiser Home Controller. If the Wiser Home Controller does not provide enough physical connections for IP connected devices, a hub must be added. Schneider Electric does not provide the hub.

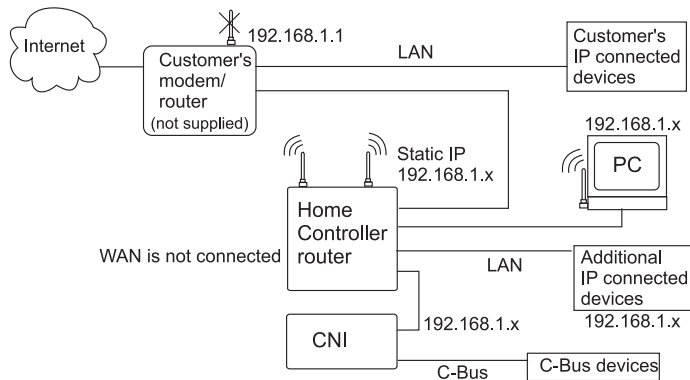


Notes: The PC is connected to the WHC's router during setup and configuration. Move the customer's IP-connected devices to subnet 2.

Figure 4. Option A Using the WAN Port

### 4.2 Option B. Using a LAN Port, WAN Not Connected

Option B requires a minimum of changes to the existing customer configuration. After adding the Wiser Home Controller, move the customer's wireless equipment to the controller's wireless LAN. Be sure to set up security on the new wireless LAN, if used.

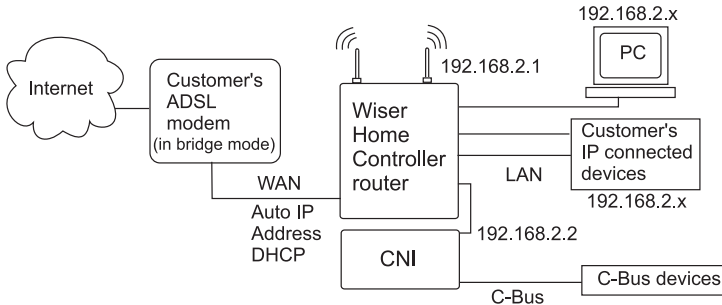


Notes: The PC is connected during setup.

Figure 5. Option B Using a LAN Port, WAN not Connected

### 4.3 Option C. Customer's Modem in Bridge Mode

When using Option C, you must configure the Wiser Home Controller to communicate directly with the customer's ISP. This might require contacting the ISP for information.



Note: The PC is connected during setup

Figure 6. Option C Customer's Modem in Bridge Mode

### 4.4 Setting Up a Wireless LAN

Any of the configurations above can include a wireless connection. Wireless devices can be installed on the same IP subnet as the wired units concurrently. When using a wireless connection, always make sure that adequate security is in place. Also, create usernames and passwords that are difficult to hack.

The Wiser Home Controller router has default features that make wireless connection easier. Refer to the Wireless Configuration section for configuration details.

The IP address of the Home Controller wireless LAN is the same as the wired LAN:  
**192.168.2.1.**

The Home Controller is delivered with the wireless LAN enabled and WPA security is in place.

SSID: **HomeController**

Security: **WPA-PSK**

## 5.0 Installation

When installing your Wiser Home Controller, refer to the diagrams found in Section 4.

**Hint:** Read through the configuration steps and set up software applications on the PC before making changes to the Customer's existing configuration. This will minimise downtime.

### 5.1 Location and Required Connections

It is important to select the best location to install the Home Controller. Some guidelines are here:

- The Wiser Home Controller is designed for indoor use only.
- The CNI can be mounted on a wall using the keyholes on the rear of the unit. Refer to the Setup Sheet for details.
- When using a wireless LAN, keep the router as close as possible to the wireless IP devices for best reception.
- Choose a location free of water, humidity, direct sunlight and heavy dust. Make sure the equipment has adequate ventilation.
- Route network cables where they will not be disturbed by people walking about.

The required connections for the Wiser Home Controller router and CNI are described in the table below.

Connection	Requirements
C-Bus	The CNI has screw terminals for twisted pairs. Use Category 5e, unshielded twisted pair network cable. Colour-coded (pink) cable is recommended. Can use either solid or stranded wires.
WAN (if used)	Use Category 5e Ethernet network cables with 8-pin RJ45 connectors at each end (not provided).
IP Devices	Use Category 5e Ethernet cables (not provided).
WHC Router to CNI	Use the provided Ethernet patch cable, Figure 1 Item #6.
Power Supply	One power outlet is needed. The supply is fitted with AUS/NZ plug. Use an adapter to suit your location, if necessary.

## 5.2 C-Bus Network Connections

The C-Bus network and the Ethernet LAN are electrically isolated inside the CNI unit. The C-Bus network provides power for the C-Bus side of the CNI circuit board.

**Note:** It is easier to connect the C-Bus network wiring before you connect the CNI unit to the router or power supply cable.

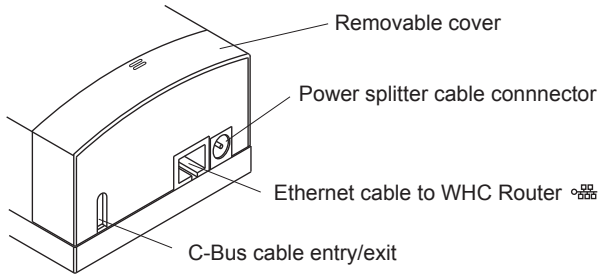


Figure 7. CNI cable and power connection points

1. Open the cable access door on the CNI unit. See Figure 8.
2. Remove about 8mm of insulation from the wires you are using.
3. Crimp the wire pairs together using bootlace connectors, if available. Connect the twisted pairs for C-Bus positive (+) and C-Bus negative (-) to the screw terminals on the PCB connector. The C-Bus network cable wire colour assignments are defined in Figure 9.

**Note:** You can install a second set of twisted pairs to daisy chain to another C-Bus device. For best results, use bootlace crimp connectors.

4. Install the plastic strain relief piece. The strain relief is in the shape of the letter 'H.'
5. Close the access door. The CNI is now ready for attachment to the router and busbar.

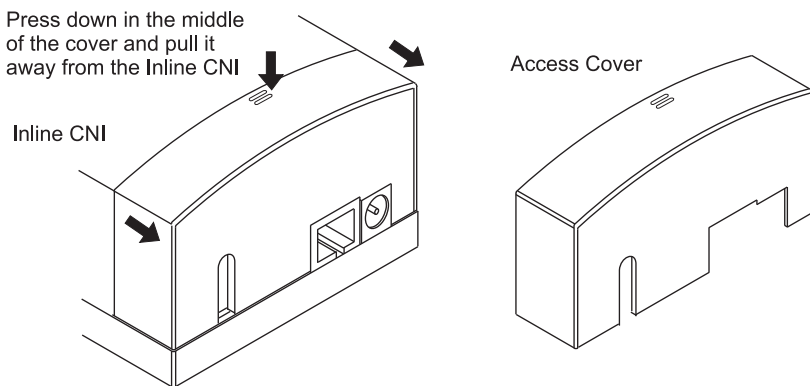


Figure 8. Removing the Access Cover

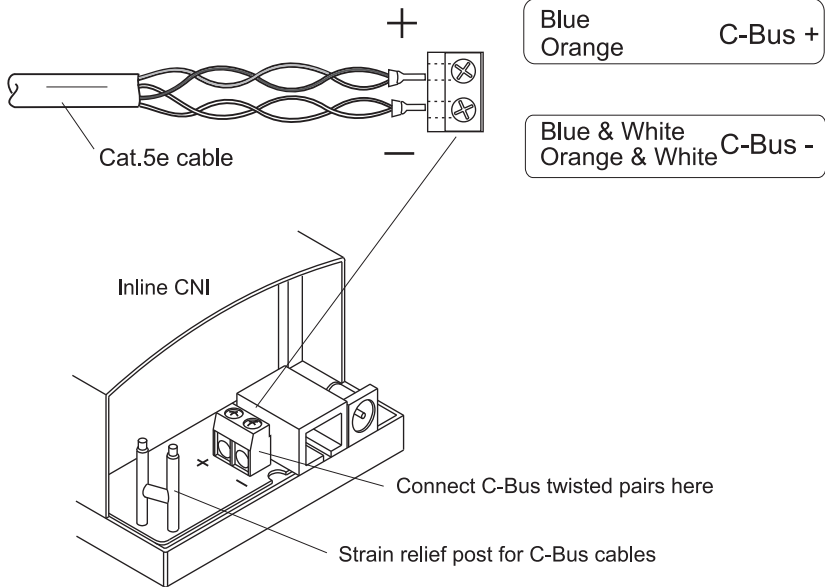


Figure 9. C-Bus network wiring details

### 5.3 WHC Router to CNI Connection

The provided Ethernet patch cable connects one of the LAN ports on the router unit to the Ethernet LAN connection on the CNI. Refer to Figure 3 and Figure 7. When this cable is in place, the router can communicate with the Ethernet side of the CNI. The C-Bus side of the CNI is only accessible to the router when an active C-Bus network cable is connected to the twisted pair terminals.

### 5.4 Power Supply and Cable

The provided power supply and power splitter cable provide power for the WHC router unit and the Ethernet side of the CNI unit. See Figure 3 for connection details.

The power supply is provided with an AUS/NZ plug configuration. Use an adapter (not provided) if the power outlet you are using has a different plug type.

## 6.0 Installing the Software Tools

The required software tools from Schneider Electric are available free of charge and are downloaded from the web.

<http://www.clipsal.com/cis/> Select Technical and then Downloads

At the current time, the PC being used for configuration must have a Windows operating system, such as Windows XP or Windows 7. The PC must have a connection to the Internet and use a standard browser such as Internet Explorer or Firefox.

For configuration purposes, the PC must have a direct connection (Ethernet cable or wireless connection) to the WHC router's LAN. Note that if you are using a wireless connection for configuration, you might experience some delays. Refer to Figure 10.

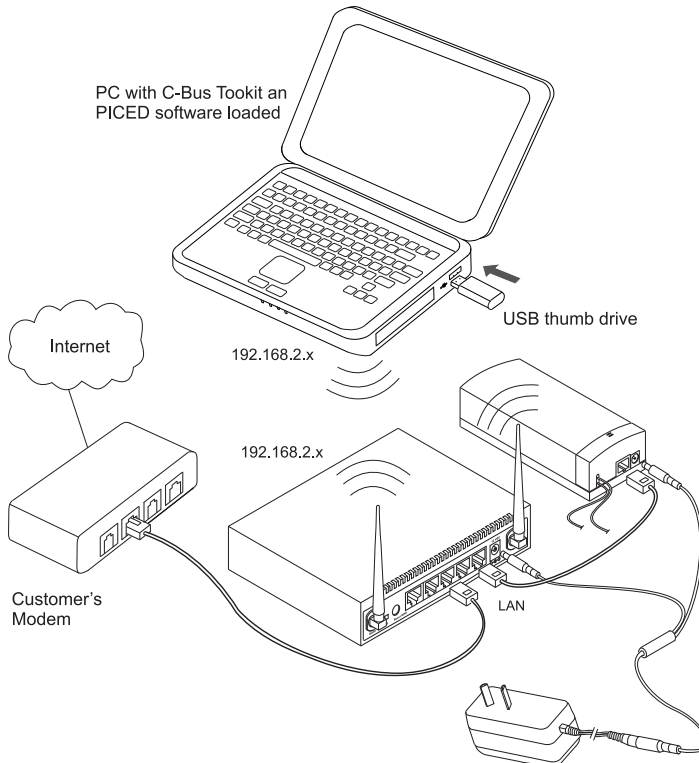


Figure 10.

Each of the Schneider Electric software tools that you download has a setup.exe program that guides you through the software installation process. After setup, you can start the applications using a desktop icon or from the Start menu in the taskbar.

The following table lists the software functions that are integral to the Wiser Home Controller's configuration and operation.

<b>Software Product</b>	<b>Purpose</b>	<b>Rev. Level</b>
Wiser Software Package	Wiser product software	see Note
C-Bus Toolkit Software	Configures the C-Bus network and creates project files.	
Control Systems IP Utility	Locates components on the network and resolves IP Address issues.	
PICED	Configures the Wiser Graphical User Interface (GUI) and creates the configuration files that are transferred to the Wiser unit.	

Note: The USB thumb drive contains a Read.me file that directs you to the latest version of the Wiser firmware and software files.



## 7.0 Software Configuration

To access the Graphical User Interface (GUI) and router configuration pages use an Internet browser such as Microsoft Internet Explorer or Firefox on the configuration PC.

### 7.1 Accessing the Graphical User Interface (GUI)

The Wiser Home Controller's GUI is installed on the router at the factory. In order to configure the equipment, you need to access the MAIN PAGE. The main page lets you navigate to the function you wish to perform. When you are operating the Home Controller, you can return to the MAIN PAGE at any time to perform administrative tasks.

1. To display the Main Page, open a browser session and enter the following address:

**http://192.168.2.1/home.asp**

Sign in as:            User Name: **admin** Password: **admin**

**Note:** If the router's address has been changed during the initial network setup, enter that address to access the Main Page.

The user GUI Main Page is displayed. To use the configuration tools, select the Toolbox icon that has a screwdriver and a spanner.

2. Select **System Utilities** to enter the configuration screens that you need during the configuration process. The first screen that is displayed is used for WAN configuration.

If you have previously configured a broadband router, the Home Controller configuration procedure is very similar. During the configuration session, you will set up the following:

- Hostname on the **Wide Area Network (WAN) Settings** page (optional).
- Change addresses on the **Local Area Network (LAN) Settings** page (optional).
- Wireless Settings on Wireless page and Wireless Security page
- Change password on Administration page (recommended)
- Remote access on Administration page or User UI

Changing the password is recommended for security reasons. You can change the password, but you cannot change the username. Passwords are limited to 30 characters. Do NOT use spaces or any of the following in your router password: ' " \ < > &.

### 7.2 Using the WAN Settings Screen

**Note:** When you open a settings page, you will see a navigation folder list on the left side of the screen. This allows you to navigate between pages quickly. When you make changes on a screen, you have the option to Apply or Cancel the operation. If you select Apply, the router reboots and you can open the screen GUI again to verify your changes.

The Wide Area Network (WAN) Settings page is the first display you see in the toolkit area. Using this screen you can add a Hostname in the box provided. After you enter the name, select Apply to make the change permanent, or select Cancel to discard changes. See Figure 11.

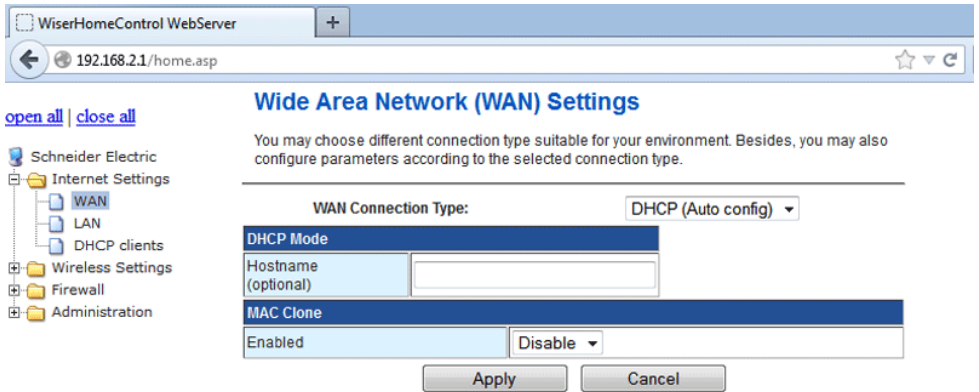


Figure 11. Wide Area Network (WAN) Settings Screen

### 7.3 Using the LAN Settings Screen

The Local Area Network (LAN) Settings screen displays the current parameters for the router’s LAN. You can modify these settings if necessary for your application. If you do not make changes, select Cancel to exit the screen. If you make changes, select Apply and wait for the router to reboot.

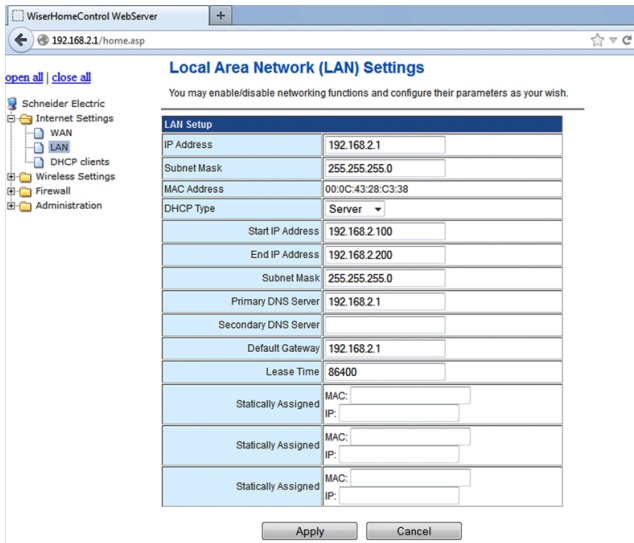


Figure 12. Local Area Network (LAN) Settings Screen

## 7.4 Using the Basic Wireless Settings

When you select the Wireless Settings screen, you can enable the wireless LAN on the router and set operational and security parameters. If you are using the wireless LAN capability, be sure to set the sliding switch on the router's back panel to **Radio ON**.

Set the following parameters:

Parameter	Recommended Setting
Enabled or disabled	Turn WiFi ON
Network Mode	11b/g/n mixed mode or Wireless N only
Network Name:	WiserHomeControl
Frequency:	Select a channel from 1 to 11 that does not conflict with other local wireless devices.

Additional changes might be needed on your system. After you have made your changes, select Apply and wait for the router to reboot.

WiserHomeControl WebServer

192.168.2.1/home.asp

[open all](#) | [close all](#)

Schneider Electric

- Internet Settings
  - Wireless Settings
    - Basic
    - Advanced
    - Security
    - WPS
    - Station List
    - Statistics
  - Firewall
  - Administration

### Basic Wireless Settings

You could configure the minimum number of Wireless settings for communication, such as Network Name (SSID) and Channel. The Access Point can be set simply with only the minimum setting items.

Wireless Network	
WiFi On/Off	Turn WiFi OFF
Network Mode	11b/g/n mixed mode
Network Name(SSID)	WiserHomeControl
Broadcast Network Name (SSID)	<input checked="" type="radio"/> Enable <input type="radio"/> Disable
BSSID	00:0E:8E:41:37:A7
Frequency (Channel)	2412MHz (Channel 1)
HT Physical Mode	
Channel BandWidth	<input type="radio"/> 20 <input checked="" type="radio"/> 20/40
Extension Channel	2432MHz (Channel 5)

Apply Cancel

Figure 13. Basic Wireless Settings Screen

The IP address of the Home Controller wireless LAN is the same as the wired LAN: **192.168.2.1**.

You should make sure that the security is enabled. WPA security is in place: **WPA-PSK**. Navigate to the Security screen to verify and change settings.

## 7.5 Using C-Bus Toolkit to Collect Network Information

In order to collect C-Bus network information (for PICED), the CNI must be connected to an active C-Bus network. The C-Bus side of the CNI is powered by the network cable. C-Bus Toolkit software (installed earlier on the PC) allows you to get the unit addresses and group addresses that are used by PICED to create a project for device monitoring and control.

Do not run C-Bus Toolkit software and PICED software at the same time on your PC. Both applications use the C-Gate program but in slightly different modes of operation.

When the CNI is operating the LED indicators operate as follows:

LAN indicator	Meaning
Green	Communication link is good
Orange/Green flash	Link is good with active data transfer
Red	Non-existent or problematic link
Off	Power problem, for example no power connection

C-Bus Indicator	Meaning
Orange	C-Bus clock signal is present, voltage is good
Orange/Red flash	C-Bus good, active communication between C-Bus and Ethernet
Off	No C-Bus connection

To use C-Bus Toolkit with the Wiser Home Controller and CNI, do the following:

Open the C-Bus Toolkit application. Verify that the current interface settings are: CNI/192/168/002/001:10001

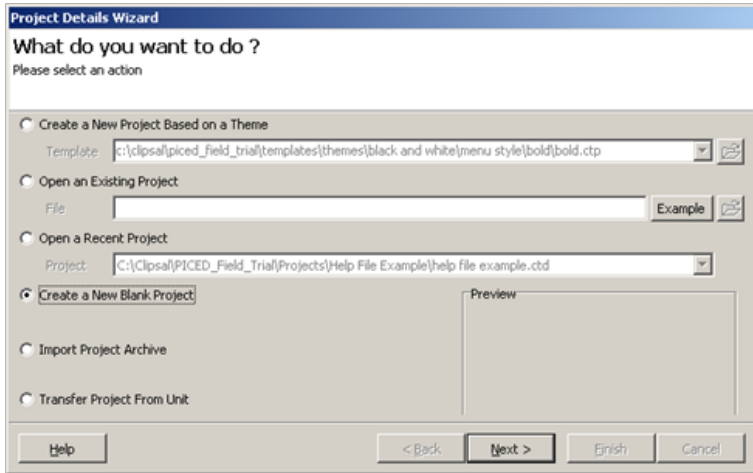
1. If the IP address shown is the same as the router (not the CNI), then press the Scan Network button on the toolbar.
2. If the information on the Welcome screen is not correct, go to the File menu and select Set Default Interface. Follow the steps to define the interface.
3. Use the tools provided to scan the network, search for networks, or refresh the list of projects, as needed.
4. If you have difficulty accessing the C-Bus network using C Bus Toolkit, check all signal and power connections for the C-Bus network and CNI. Look for LED indications of a problem.
5. After you have updated the Tag database using C Bus Toolkit, shut the program down before opening PICED. Refer to the help files for more information.

## 8.0 Using PICED to Create and Transfer a Project

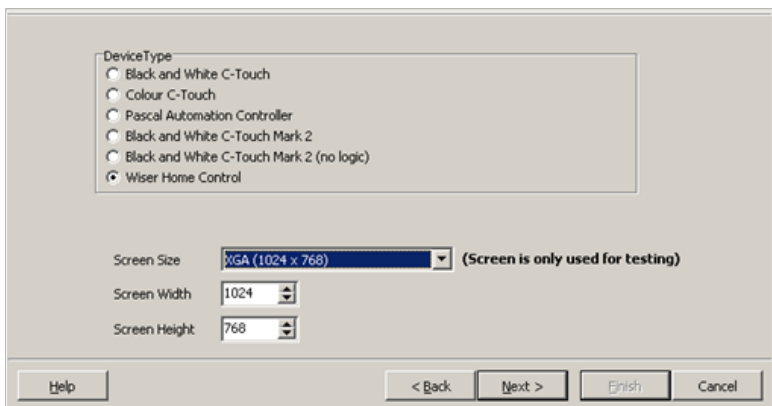
Note: PICED software Help files contain new information specific to the Wiser Home Controller. Be sure to access PICED Help during installation, as needed.

### 8.1 Setting up a New Project in PICED

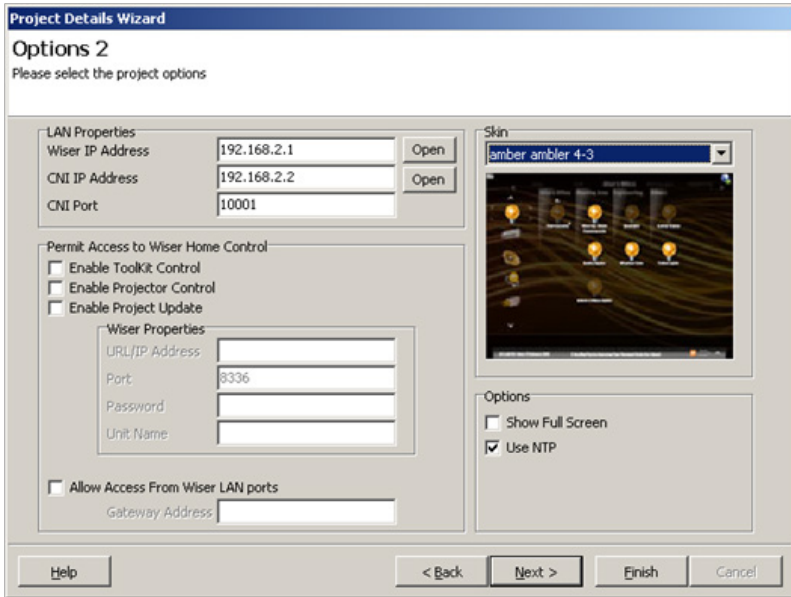
1. Start PICED.
2. Select Create a New Blank Project. Click Next.



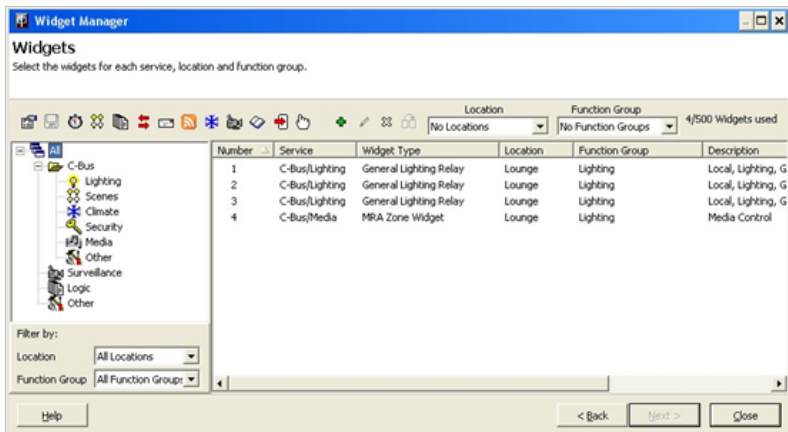
3. Select Wiser Home Controller. Click Next.



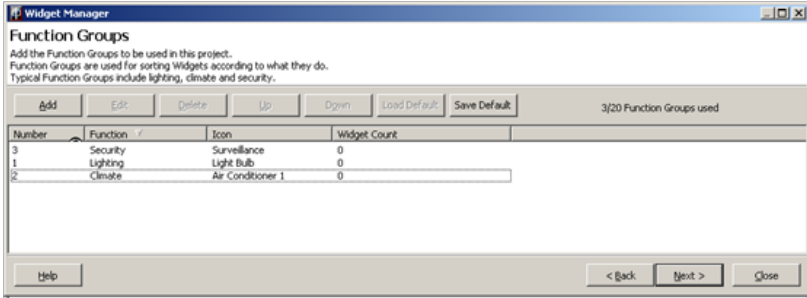
4. Enter details as for other C-Bus products.
5. When you get to the Options 2 tab, select a Skin (use the drop down to see the choices).



6. To verify that the Wiser Home Controller and CNI are connected correctly, or to configure them, click the respective Open buttons.
7. Click Next. Enter details as for other C-Bus products. When complete, click Finish.
8. The Widget Manager will be displayed. Add some Locations. Click the Help button to open the PICED help file for details. Click Next when complete.

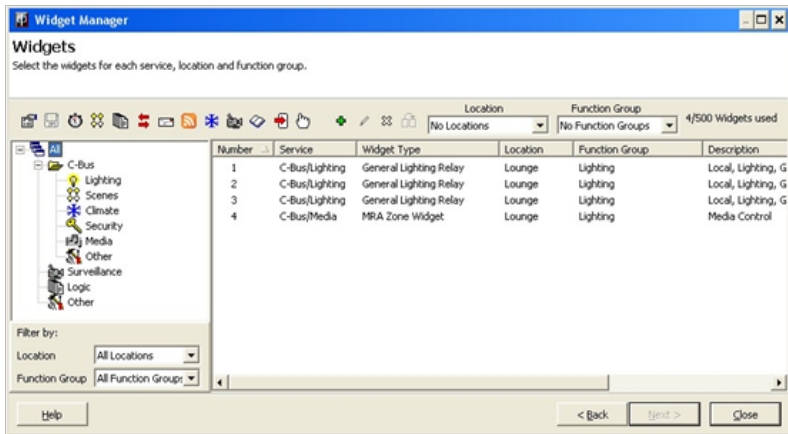


9. Add some Function Groups. Refer to the Piced help file for details. Most projects will include Lighting, Security and Climate Control. Click Next when complete.



10. Add some Widgets. Refer to the Piced help file for details.

Tip: At the top of the page are drop-down lists to change some of the properties of selected Widgets. This is much quicker to use than opening each Widget separately.



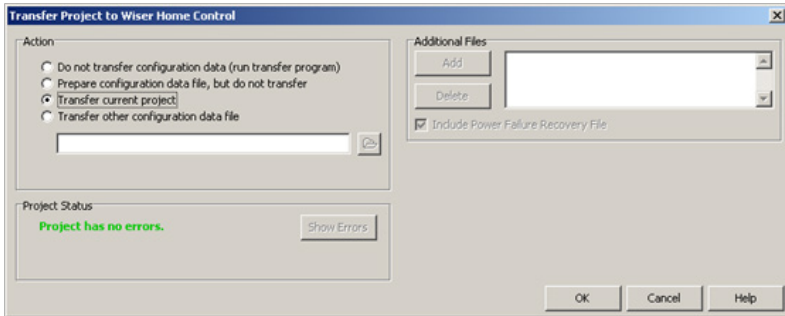
11. If needed, add the following:

- Scenes
- Schedules
- Logic
- User System IO Variables
- E-Mail Accounts

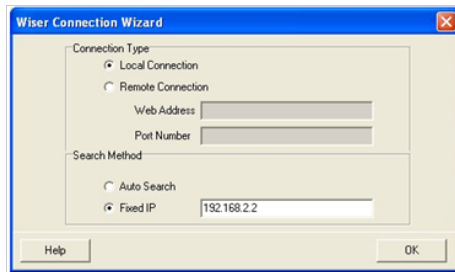
Refer to Piced help files for details.

## 8.2 Transferring the Project to the Wiser Home Controller

1. When the project is complete, click on the Transfer button (box with a red arrow). The Transfer Project to Wiser Home Control form is displayed.



2. Click OK. The Wiser Connection Wizard is displayed.



3. Select Fixed IP and enter the IP Address of the Home Control (192.168.2.1 by default).
4. Click OK.
5. If the unit has out of date firmware, the Firmware tab will be displayed. Enter a password (admin by default) and click on Transfer Firmware. Wait for the unit to re-start, then repeat steps 1 to 4.
6. If the firmware is up to date, the Transfer tab will be selected. Click on Start. Wait for the unit to re-start.
7. Open a web browser and enter the IP Address of the unit (192.168.2.1 by default). You should be able to see your project and control it.
8. Use simulation mode in PICED (the button with a picture of a hand on it) to test further changes to your project without the need to transfer the project each time. Some aspects of Simulation mode can only be used once a project transfer has been done.

Refer to the PICED and Transfer Utility help files for additional information.



## 9.0 Introduction to the Wiser's Graphical User Interface (GUI)

Access the Wiser Home Controller's user interface with a web browser such as Internet Explorer or Mozilla Firefox. Type the following URL and press Enter on your keyboard.

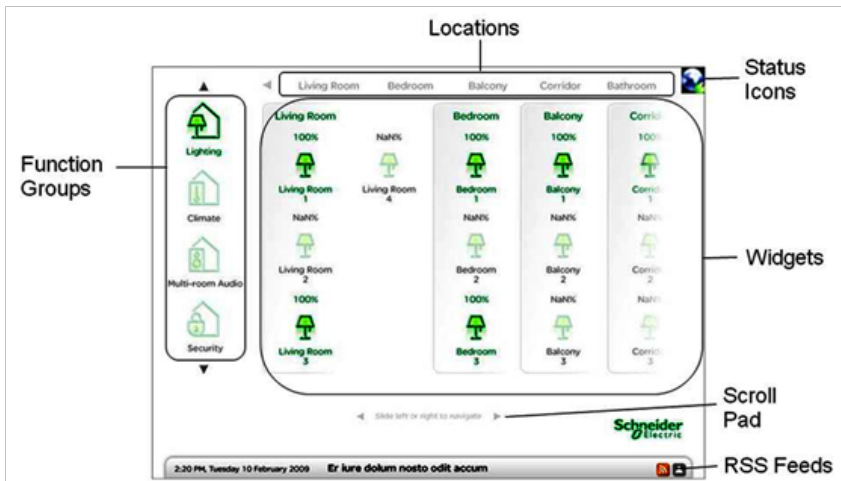
**http://192.168.2.1/**

Username: **admin** Password: **admin**, or your changed password

**Note:** If your Home Controller's IP Address is not 192.168.2.1, use the correct IP Address in the URL above.

You should now be able to see the Wiser Home Controller's graphical user interface (GUI). If you click one of the Location names, you will see the Widgets for that location. If you click a Function Group icon, you will see the Widgets for that Function Group. Click the Widgets to control them.

You can also access the GUI using a 'projector' application running on a device such as a mobile phone or PDA. The appearance of the web interface depends on many factors, including the 'skin' used and the selected 'widgets.' A typical screen is shown below.



A **Widget** is a graphical component displayed on the Home Controller that controls and/or displays the state of something. Typical functions for widgets include:

- Controlling lighting
- Controlling a home audio system
- Controlling and monitoring a security system
- Displaying a web camera

The Wiser Home Controller displays the widgets using the selected skin. The skin defines the appearance of the background and the Widgets, as well as the way the user interface operates.

The Wiser Home Controller automatically arranges the Widgets onto pages according to their 'Location' and/or 'Function Group.'

**Locations** are defined by the user and are used to arrange Widgets according to their physical location in a site. Typical Locations in a home might include:

- Lounge
- Dining
- Bedrooms
- Outside

**Function Groups** are defined by the user and are used to arrange Widgets according to their usage. Typical Function Groups in a Home might include:

- Lighting
- Security
- Climate Control
- Media (Audio/Video)

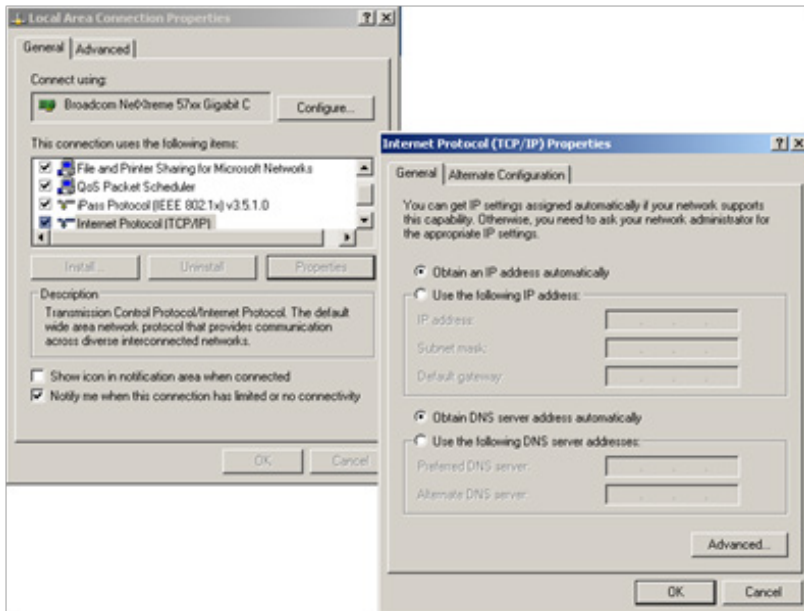
## 10.0 Additional Information

### 10.1 Using Static TCP/IP Settings on the PC (if necessary)

When possible, use the automatic IP setting feature (DHCP enabled). Use static IP addressing when a fixed IP address is needed. The following steps might be necessary for your installation.

#### Windows 2000 or Windows XP

1. Connect the PC cable to an unused LAN port on the Wiser Home Controller. Apply power to the router and allow it to initialise.
2. Click Start; click Settings and then click Control Panel.
3. Double-click the Network Connection icon.
4. Right-click the Local Area Connection icon and then click Properties. The Local Area Connection Properties window appears.



5. Under the General configuration tab, locate and select TCP/IP with the corresponding network card, and then click Properties. The Internet Protocol (TCP/IP) Properties window appears.
6. Click Use the following IP Address and enter:
 

IP Address:	192.168.2.10	(use a unique IP address)
Subnet Mask:	255.255.255.0	
Default Gateway:	192.168.2.1	
7. Now your PC is ready to access and configure the router.

## Windows VISTA

1. Connect the PC cable to an unused LAN port on the Home Controller. Apply power to the router and allow it to initialise.
2. Click Start, Control Panel, and then Network and Internet: Manage network connections.
3. Right-click the Local Area Connection icon and then click Properties. The Local Area Connection Properties window appears.
4. Under the Networking configuration tab, locate and select Internet Protocol Version 4 (TCP/IPv4) with the corresponding network card and then click Properties. The Internet Protocol (TCP/IP) Properties window appears.
5. Click Use the following IP Address and enter:

```

IP Address:      192.168.2.10      (see Note)
Subnet Mask:    255.255.255.0
Default Gateway: 192.168.2.1
  
```

Note Provide a unique address that does not conflict with any other device on the LAN.

6. Now your PC is ready to access and configure the router.

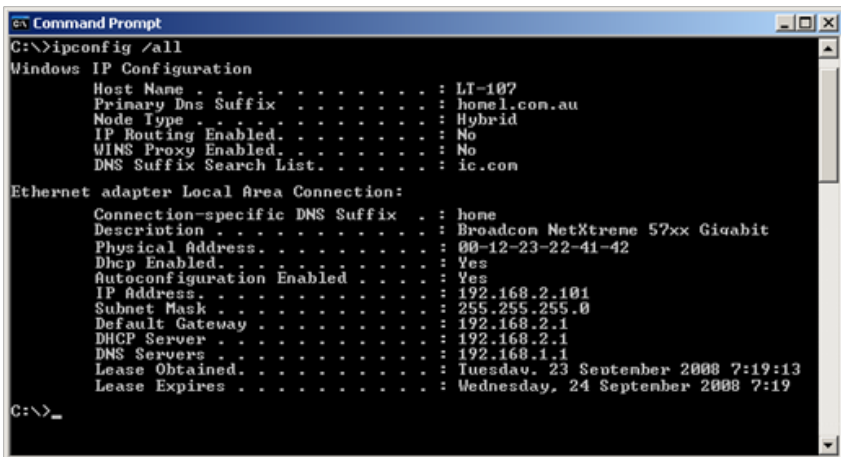
## 10.2 Useful DOS Command Prompt Programs

The two DOS programs illustrated here use command lines. These programs can be useful to diagnose some connectivity problems and gather information about IP addresses. Go to Start/Run and then type:

```

cmd.exe then click OK then type: ipconfig /all and press Enter
ping <ip address> and then press Enter
  
```

In the example below, the PC is using an automatically assigned address of 192.168.2.101. The default gateway is the customer's modem/router. Note that the wireless LAN is not shown in this example.



```

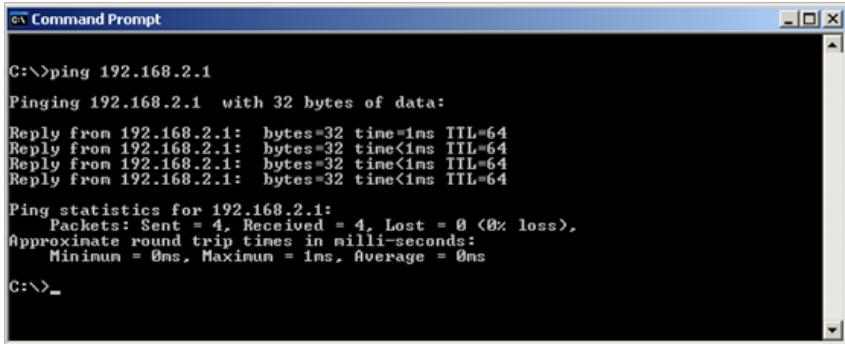
C:\>ipconfig /all
Windows IP Configuration

Host Name . . . . . : LT-107
Primary Dns Suffix . . . . . : home1.com.au
Node Type . . . . . : Hybrid
IP Routing Enabled. . . . . : No
WINS Proxy Enabled. . . . . : No
DNS Suffix Search List. . . . . : ic.com

Ethernet adapter Local Area Connection:

Connection-specific DNS Suffix . . . : home
Description . . . . . : Broadcom NetXtreme 57xx Gigabit
Physical Address. . . . . : 00-12-23-22-41-42
Dhcp Enabled. . . . . : Yes
Autoconfiguration Enabled . . . . . : Yes
IP Address. . . . . : 192.168.2.101
Subnet Mask . . . . . : 255.255.255.0
Default Gateway . . . . . : 192.168.2.1
DHCP Server . . . . . : 192.168.2.1
DNS Servers . . . . . : 192.168.1.1
Lease Obtained. . . . . : Tuesday, 23 September 2008 7:19:13
Lease Expires . . . . . : Wednesday, 24 September 2008 7:19
C:\>_
  
```

The example below shows a successful ping to the Home Controller unit. You could also ping the customer's modem/router or other units on the network.



```
C:\>ping 192.168.2.1
Pinging 192.168.2.1 with 32 bytes of data:
Reply from 192.168.2.1: bytes=32 time=1ms TTL=64
Reply from 192.168.2.1: bytes=32 time<1ms TTL=64
Reply from 192.168.2.1: bytes=32 time<1ms TTL=64
Reply from 192.168.2.1: bytes=32 time<1ms TTL=64

Ping statistics for 192.168.2.1:
    Packets: Sent = 4, Received = 4, Lost = 0 (0% loss),
    Approximate round trip times in milli-seconds:
        Minimum = 0ms, Maximum = 1ms, Average = 0ms

C:\>_
```

## 10.2 Frequently Asked Questions (FAQs)

Q1: What do I do if I have forgotten my password?

A1: The default username is admin and the default password is admin. You cannot change the username on the router. You can only change the password. If you have changed the default password and have forgotten the new one, you must reset the router back to factory defaults.

Q2: How do I reset the router back to factory defaults?

A2: There are two ways to do this. The first is the physical method of inserting a thin paper clip end into the reset button (recessed in a hole) at the back of the unit. (1) Unplug the power connector, (2) insert the clip apply power and hold the button in for 10 seconds, and then (3) remove the clip and wait 30 seconds. The second method is to open the router Setup page (you must know the current user name and password) go to the Administration page and select Factory Defaults. Confirm the selection. Using either method, the router automatically reboots.

Q3: How do I apply the latest firmware release?

A3: Schneider Electric recommends using the Transfer Utility because it is less prone to disruption during the data transfer than other methods. Whenever you transfer a project in Piced using the transfer function, the software checks the firmware version with the version on your PC. The latest firmware is automatically updated in the Home Controller's router.

Q4: How can I report any problems?

A4: There are several methods:

Phone Technical Support: See the last page of this instruction

E-mail Technical Support: See the last page of this instruction

Use the C-Bus forum: <http://www.cbforums.com/forums/>

Q5: What details does Schneider Electric require to identify, isolate and solve a bug that I have found?

A5: A detailed bug report is always greatly appreciated and may possibly earn you eternal gratitude from the developers. We encourage users to use the “backup configurations” tool in the router’s web user interface (under Administration->Management tab) to generate a config.bin file that will allow us to have exactly the same setup/configuration that you have used on your router. Further, you can also attach the PICED project archive that you used. These two items are valuable to us in diagnosing and working on solving a particular problem. Additional information pertinent to the issue or failure mode you have observed or identified is also essential. For example, if filing a bug about an unexpected mode of behaviour with the GUI affecting C-Bus, it is valuable to record the sequence of steps that you performed.

Q6: What are the meanings of the icons at the top right of the graphical user interface?

A6: See the following paragraphs.



This icon reflects the state and stability of the graphical user interface’s connection to the router. For example, if you see it going red, this means that it is no longer connected to the router. This can happen for many reasons. Typically, this happens when using the web UI over Wi-Fi and the Wi-Fi is going out of range. It will automatically restore itself to green when it has successfully re-established the connection. Clicking on the icon will provide more detailed information such as “attempted reconnects, watchdog counter, keep-alive signals, and successful reconnections”. These will be helpful to report if you encountered any unexpected behaviour.



The envelope icon reflects the status of a POP3 mailbox if one has been configured in the project. It will report how many emails are in the mailbox and the From/Subject lines of up to the first 5 messages.



The C-Bus logo with a red slash across it means that the web UI does not have C-Bus connectivity.



The wrench logo means that the web UI is currently in CNI mode meaning that the device is being used as a CNI and thus the web UI will not function until the CNI mode is disconnected. Once CNI mode is disconnected, the icon will disappear and the GUI can be used like normal.



The toolbox icon (screwdriver and wrench) shows a page with Toolkit Remote Enable, Projector Control Enable and Project Update Enable (see below).

Q7: What do Toolkit Remote Enable, Projector Control Enable and Project Update Enable mean?

A7: Toolkit Remote Enable allows the device to be used as a CNI over the Internet. This means that anyone on the Internet, if they knew the Internet address of your device, can connect on port 10001 and perform C Bus tasks. Disabling closes this port. The port is closed by default. This feature is intended to allow installers to use C-Bus Toolkit to manage a C Bus network remotely when they need to. **IT IS IMPORTANT TO MAKE SURE TO CLOSE THE PORT AFTER USE. LEAVING IT OPEN ALLOWS ANYONE TO MANIPULATE YOUR C-BUS NETWORK.**

Projector Control Enable allows the web user interface to function even when run remotely over the Internet. This feature is intended to allow an end-user or installer to interact with their C-Bus network even when outside of their home or premise.

Project Update Enable allows a Piced project to be uploaded to the device over the Internet. This means that anyone on the Internet, if they knew the Internet address of your device, can connect to the device and transfer a project to the unit and/or retrieve a project from the unit. It is important to make sure to close the port after usage as leaving it open will allow anyone to manipulate your C-Bus network.

Q8: Can I transfer a Piced project from the router to my PC using the project that I previously loaded on to a router?

A8: Yes, you can transfer a project from the PC to the Home Controller and transfer a loaded program back to the PC.

Q9: How do I set up Port Forwarding on my Home Controller?

A9: The screen below is a representation of how your modem/router (Not the Home Controller unit) should be configured to support access to the Wiser Home Controller from the Internet.

Virtual Server (Port Forwarding)							
Add Virtual Server		Edit DMZ Host		Edit One-to-one NAT			
Virtual Server Table							
Application	Time Schedule	Protocol	External Port	Redirect Port	IP Address		
ECHO1	Always On	tcp	8080 - 8080	8080 - 8080	10.176.148.17	Edit	Delete
ECHO2	Always On	tcp	8888 - 8889	8888 - 8889	10.176.148.17	Edit	Delete
CBUS	Always On	tcp	14000 - 14000	14000 - 14000	10.176.148.17	Edit	Delete
CTCT	Always On	tcp	8336 - 8337	8336 - 8337	10.176.148.17	Edit	Delete
ECHOROUTE	Always On	tcp	80 - 80	8080 - 8080	10.176.148.17	Edit	Delete

Note: This setup is only applicable if you are connecting the Home Controller behind your Modem/Router. It does not apply if you are using you're a bridged Modem or have configured your modem/router to work as a bridged modem.

Q10: How do I use the port definitions built into the Home Controller?

A10: To use the Port Definitions refer to the table and the notes that follow: See Note 1 Wiser Home Controller Wan IP.

Application ID	Protocol	Ext Port	Int Port	Port Function
ECHO1	TCP	8080	8080	Port 8080 is the default port used for connecting to the web server of the Home Controller, When enabled the Home Controller UI can then be reached at <a href="http://&lt;your URL or External IP&gt;:8080/">http://&lt;your URL or External IP&gt;:8080/</a> You will be required to authenticate with a username and password to gain access.
ECHO2	TCP	8888 & 8889	8888 & 8889	Ports 8888 to 8889 are used for the command interface between your web application or projector application and Home Controller. If these ports are not open or are being blocked by your internet service provider then control from the User interface will not be possible.
CBUS	TCP	10001	10001	Port 10001 is the default port for the CNI currently being used in the field trials. This port is only required if you wish to obtain programming access from toolkit to C-Bus, Refer to Note 2 for more details
CTCT	TCP	8336 & 8337	8336 & 8337	Ports 8336 and 8337 are used in the project transfer process to transfer a Project from Piced to the Home Controller remotely
ECHOROUTE	TCP	80	8080	Optional Feature. If your Modem/Router support port mapping and you are not using Port 80 for any other external services you may use this mapping so you are not required to enter the port address in your URL to remotely connect, at <a href="http://&lt;your URL or External IP&gt;">http://&lt;your URL or External IP&gt;</a>

Note 1. To maintain an ongoing connection to your Home Controller you should use either a Fixed IP address for the WAN interface of the Home Controller or Alternately setup your Modem/Router to always provide the same IP Address to the Home Controller Unit (refer to your modem/router manual for further details on how to do this).

Note 2. The CNI Port is configurable; the default port address is 10001 (to match toolkit defaults). If the Port address is change from the default it must also be changed in your Home Controller Project and downloaded to the Home Controller, the new port number will also need to be used in your port forwarding rules of your modem/router. (Refer to Figure 3 for details on enabling the remote access to your CNI from within the Home Controller).



## 10.3 Terms

**Busbar** A passive connector for Ethernet and power connections to the Home Controller and CNI.

**CNI** C-Bus Network Interface. The CNI handles Ethernet to C Bus communication and provides electrical isolation between the networks.

**Customer's modem** The hardware component connecting the Home Controller to the Internet.

**Default gateway** A network node, for example a router, that serves as an access point to another network.

**DHCP** Dynamic Host Configuration Protocol. A protocol that assigns IP addresses to client stations on a network at startup.

**DNS** A network server that resolves Internet Protocol (IP) numeric addresses from domain names and puts them in a readable form.

**Wiser Home Controller** The router and CNI unit that provides the connection from the customer's equipment to C-Bus and IP devices.

**ipconfig.exe** A program used to identify the IP connections on a computer. The program is normally run from a DOS command prompt.

**LAN** Local Area Network is restricted to a small area such as a home.

**Ping** A ping command sends packets of data to a defined IP address and then monitors and reports the returned data. This is useful for testing two way communication between points on a network.

**RSS feed** A web link that follows the RSS (Really Simple Syndication) specification to access a location that provides frequently updated information, such as news.

**TCP/IP** Transaction Control Protocol/Internet Protocol. This protocol uses unique IP addresses to identify devices on the LAN.

**WAN** Wide Area Network. The data communications network that links the customer to the Internet.

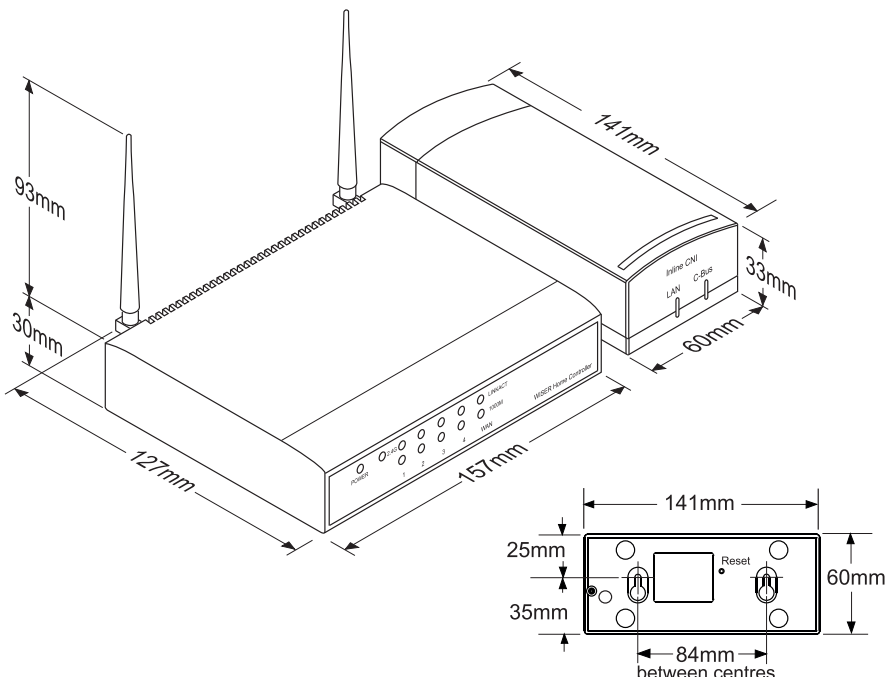
**WPA** WiFi Protected Access, a modern form of encryption for wireless data. It lacks the vulnerabilities that WEP had.

**MAC** Media Access Control is a unique address built into Ethernet hardware devices.

**WEP** Wired Equivalent Privacy is a form of wireless data encryption using a 64-bit or 128-bit shared-key algorithm.

# 10.0 Specifications

Parameter	Description or value
Power supply	AC/DC power supply for router and the Ethernet side of the CNI. Splitter cable provided.
C-Bus power	C-Bus network cable supplies power for the C-Bus side of the CNI. CNI uses 18mA, does not supply power to the network.
Mounting location	Indoor Use Only. Router: Shelf mounted. CNI: Shelf mounted, or wall mounted on 2 84mm centres.
Operating ambient temperature	0—45 degrees C (32—113 degrees F)
Operating relative humidity	10% to 90%, non-condensing
Types of electrical connection	Router: Ethernet WAN and LAN ports 8-pin RJ45 CNI: Ethernet port 8-pin RJ45 C-Bus network Cat 5e UTP, screw terms.
Ethernet WAN protocol	TCP/IP
Recommended Internet browsers	Internet Explorer or Mozilla Firefox



## 12.0 Standards Complied

### Declarations of Conformity

#### European Council Directives and Standards

The Wiser Home Controller complies with the following.



Directive	Standard	Title
EMC Directive	CISPR 22, EN 55022	Information Technology Equipment–RF Emissions
	CISPR 24, EN 55024	Information Technology Equipment–Immunity
R&TTE Directive	ETSI EN 300 328	Electromagnetic Compatibility and Radio Spectrum Matters–DTE 2.4 GHz band, wideband modulation
RoHS Directive		Restriction of Hazardous Substances

#### China (SRRC)

CMIIT ID number: Pending



Do not dispose of this product to landfill or by incineration. This product should be disposed of by a licenced electronic waste disposal agency. In some locations it is an offense to dispose of electronic items improperly.

#### Important

Changes or modifications not expressly approved by Schneider Electric could void the user's authority to operate the equipment.

## 13.0 GNU General Public Licence

Some software components included in the Wiser Home Controller are provided under a general public license.

GNU GENERAL PUBLIC LICENSE Version 2, June 1991

Copyright (C) 1989, 1991 Free Software Foundation, Inc. 51 Franklin Street, Fifth Floor, Boston, MA 021101301, USA

Everyone is permitted to copy and distribute verbatim copies of this license document, but changing it is not allowed.

### Preamble

The licenses for most software are designed to take away your freedom to share and change it. By contrast, the GNU General Public License is intended to guarantee your freedom to share and change free software to make sure the software is free for all its users. This General Public License applies to most of the Free Software Foundation's software and to any other program whose authors commit to using it. (Some other Free Software Foundation software is covered by the GNU Lesser General Public License instead.) You can apply it to your programs, too. When we speak of free software, we are referring to freedom, not price. Our General Public Licenses are designed to make sure that you have the freedom to distribute copies of free software (and charge for this service if you wish), that you receive source code or can get it if you want it, that you can change the software or use pieces of it in new free programs; and that you know you can do these things. To protect your rights, we need to make restrictions that forbid anyone to deny you these rights or to ask you to surrender the rights. These restrictions translate to certain responsibilities for you if you distribute copies of the software, or if you modify it. For example, if you distribute copies of such a program, whether gratis or for a fee, you must give the recipients all the rights that you have. You must make sure that they, too, receive or can get the source code. And you must show them these terms so they know their rights. We protect your rights with two steps: (1) copyright the software, and (2) offer you this license which gives you legal permission to copy, distribute and/or modify the software. Also, for each author's protection and ours, we want to make certain that everyone understands that there is no warranty for this free software. If the software is modified by someone else and passed on, we want its recipients to know that what they have is not the original, so that any problems introduced by others will not reflect on the original authors' reputations. Finally, any free program is threatened constantly by software patents. We wish to avoid the danger that redistributors of a free GNU GENERAL PUBLIC LICENSE.txt program will individually obtain patent licenses, in effect making the program proprietary. To prevent this, we have made it clear that any patent must be licensed for everyone's free use or not licensed at all. The precise terms and conditions for copying, distribution and modification follow.

### TERMS AND CONDITIONS FOR COPYING, DISTRIBUTION AND MODIFICATION

0. This License applies to any program or other work which contains a notice placed by the copyright holder saying it may be distributed under the terms of this General Public License. The "Program", below, refers to any such program or work, and a "work based on the Program" means either the Program or any derivative work under copyright law: that is to say, a work containing the Program or a portion of it, either verbatim or with modifications and/or translated into another language. (Hereinafter, translation is included without limitation in the term "modification".) Each licensee is addressed as "you". Activities other than copying, distribution and modification are not covered by this License; they are outside its scope. The act of running the Program is not restricted, and the output from the Program is covered only if its contents constitute a work based on the Program (independent of having been made by running the Program). Whether that is true depends on what the Program does.

1. You may copy and distribute verbatim copies of the Program's source code as you receive it, in any medium, provided that you conspicuously and appropriately publish on each copy an appropriate copyright notice and disclaimer of warranty; keep intact all the notices that refer to this License and to the absence of any warranty; and give any other recipients of the Program a copy of this License along with the Program. You may charge a fee for the physical act of transferring a copy, and you may at your option offer warranty protection in exchange for a fee.

2. You may modify your copy or copies of the Program or any portion of it, thus forming a work based on the Program, and copy and distribute such modifications or work under the terms of Section 1 above, provided that you also meet all of these conditions:

a) You must cause the modified files to carry prominent notices stating that you changed the files and the date of any change.

b) You must cause any work that you distribute or publish, that in whole or in part contains or is derived from the Program or any part thereof, to be licensed as a whole at no charge to all third parties under the terms of this License.

c) If the modified program normally reads commands interactively when run, you must cause it, when started running for such interactive use in the most ordinary way, to print or display an announcement including an appropriate copyright notice and a notice that there is no warranty (or else, saying that you provide a warranty) and that users may redistribute the program under these conditions, and telling the user how to view a copy of this License. (Exception: if the Program itself is interactive but does not normally print such an announcement, your work based on the Program is not required to print an announcement.)

These requirements apply to the modified work as a whole. If identifiable sections of that work are not derived from the Program, and can be reasonably considered independent and separate works in themselves, then this License, and its terms, do not apply to those sections when you distribute them as separate works. But when you distribute the same sections as part of a whole which is a work based on the Program, the distribution of the whole must be on the terms of this License, whose permissions for other licensees extend to the entire whole, and thus to each and every part regardless of who wrote it. Thus, it is not the intent of this section to claim rights or contest your rights to work written entirely by you; rather, the intent is to exercise the right to control the distribution of derivative or collective works based on the Program. In addition, mere aggregation of another work not based on the Program with the Program (or with a work based on the Program) on a volume of a storage or distribution medium does not bring the other work under the scope of this License.

3. You may copy and distribute the Program (or a work based on it, under Section 2) in object code or executable form under the terms of Sections 1 and 2 above provided that you also do one of the following:

a) Accompany it with the complete corresponding machinereadable source code, which must be distributed under the terms of Sections 1 and 2 above on a medium customarily used for software interchange; or,

b) Accompany it with a written offer, valid for at least three years, to give any third party, for a charge no more than your cost of physically performing source distribution, a complete machinereadable copy of the corresponding source code, to be distributed under the terms of Sections 1 and 2 above on a medium customarily used for software interchange; or,

c) Accompany it with the information you received as to the offer to distribute corresponding source code. (This alternative is allowed only for noncommercial distribution and only if you received the program in object code or executable form with such an offer, in accord with Subsection b above.)

The source code for a work means the preferred form of the work for making modifications to it. For an executable work, complete source code means all the source code for all modules it contains, plus any associated interface definition files, plus the scripts used to control compilation and installation of the executable. However, as a special exception, the source code distributed need not include anything that is normally distributed (in either source or binary form) with the major components (compiler, kernel, and so on) of the operating system on which the executable runs, unless that component itself accompanies the executable. If distribution of executable or object code is made by offering access to copy from a designated place, then offering equivalent access to copy the source code from the same place counts as distribution of the source code, even though third parties are not compelled to copy the source along with the object code.

4. You may not copy, modify, sublicense, or distribute the Program except as expressly provided under this License. Any attempt otherwise to copy, modify, sublicense or distribute the Program is void, and will automatically terminate your rights under this License. However, parties who have received copies, or rights, from you under this License will not have their licenses terminated so long as such parties remain in full compliance.

5. You are not required to accept this License, since you have not signed it. However, nothing else grants you permission to modify or distribute the Program or its derivative works. These actions are prohibited by law if you do not accept this License. Therefore, by modifying or distributing the Program (or any work based on the Program), you indicate your acceptance of this License to do so, and all its terms and conditions for copying, distributing or modifying the Program or works based on it.

6. Each time you redistribute the Program (or any work based on the Program), the recipient automatically receives a license from the original licensor to copy, distribute or modify the Program subject to these terms and conditions. You may not impose any further restrictions on the recipients' exercise of the rights granted herein. You are not responsible for enforcing compliance by third parties to this License.

7. If, as a consequence of a court judgment or allegation of patent infringement or for any other reason (not limited to patent issues), conditions are imposed on you (whether by court order, agreement or otherwise) that contradict the conditions of this License, they do not excuse you from the conditions of this License. If you cannot distribute so as to satisfy simultaneously your obligations under this License and any other pertinent obligations, then as a consequence you may not distribute the Program at all. For example, if a patent license would not permit royalty-free redistribution of the Program by all those who receive copies directly or indirectly through you, then the only way you could satisfy both it and this License would be to refrain entirely from distribution of the Program.

If any portion of this section is held invalid or unenforceable under any particular circumstance, the balance of the section is intended to apply and the section as a whole is intended to apply in other circumstances. It is not the purpose of this section to induce you to infringe any patents or other property right claims or to contest validity of any such claims; this section has the sole purpose of protecting the integrity of the free software distribution system, which is implemented by public license practices. Many people have made generous contributions to the wide range of software distributed through that system in reliance on consistent application of that system; it is up to the author/donor to decide if he or she is willing to distribute software through any other system and a licensee cannot impose that choice. This section is intended to make thoroughly clear what is believed to be a consequence of the rest of this License.

8. If the distribution and/or use of the Program is restricted in certain countries either by patents or by copyrighted interfaces, the original copyright holder who places the Program under this License may add an explicit geographical distribution limitation excluding those countries, so that distribution is permitted only in or among countries not thus excluded. In such case, this License incorporates the limitation as if written in the body of this License.

9. The Free Software Foundation may publish revised and/or new versions of the General Public License from time to time. Such new versions will be similar in spirit to the present version, but may differ in detail to address new problems or concerns.

Each version is given a distinguishing version number. If the Program specifies a version number of this License which applies to it and "any later version", you have the option of following the terms and conditions either of that version or of any later version published by the Free Software Foundation. If the Program does not specify a version number of this License, you may choose any version ever published by the Free Software Foundation.

10. If you wish to incorporate parts of the Program into other free programs whose distribution conditions are different, write to the author to ask for permission. For software which is copyrighted by the Free Software Foundation, write to the Free Software Foundation; we sometimes make exceptions for this. Our decision will be guided by the two goals of preserving the free status of all derivatives of our free software and of promoting the sharing and reuse of software generally.

## NO WARRANTY

11. BECAUSE THE PROGRAM IS LICENSED FREE OF CHARGE, THERE IS NO WARRANTY FOR THE PROGRAM, TO THE EXTENT PERMITTED BY APPLICABLE LAW. EXCEPT WHEN OTHERWISE STATED IN WRITING THE COPYRIGHT HOLDERS AND/OR OTHER PARTIES PROVIDE THE PROGRAM "AS IS" WITHOUT WARRANTY OF ANY KIND, EITHER EXPRESSED OR IMPLIED, INCLUDING, BUT NOT LIMITED TO, THE IMPLIED WARRANTIES OF MERCHANTABILITY AND FITNESS FOR A PARTICULAR PURPOSE. THE ENTIRE RISK AS TO THE QUALITY AND PERFORMANCE OF THE PROGRAM IS WITH YOU. SHOULD THE PROGRAM PROVE DEFECTIVE, YOU ASSUME THE COST OF ALL NECESSARY SERVICING, REPAIR OR CORRECTION.

12. IN NO EVENT UNLESS REQUIRED BY APPLICABLE LAW OR AGREED TO IN WRITING WILL ANY COPYRIGHT HOLDER, OR ANY OTHER PARTY WHO MAY MODIFY AND/OR REDISTRIBUTE THE PROGRAM AS PERMITTED ABOVE, BE LIABLE TO YOU FOR DAMAGES, INCLUDING ANY GENERAL, SPECIAL, INCIDENTAL OR CONSEQUENTIAL DAMAGES ARISING OUT OF THE USE OR INABILITY TO USE THE PROGRAM (INCLUDING BUT NOT LIMITED TO LOSS OF DATA OR DATA BEING RENDERED INACCURATE OR LOSSES SUSTAINED BY YOU OR THIRD PARTIES OR A FAILURE OF THE PROGRAM TO OPERATE WITH ANY OTHER PROGRAMS), EVEN IF SUCH HOLDER OR OTHER PARTY HAS BEEN ADVISED OF THE POSSIBILITY OF SUCH DAMAGES. END OF TERMS AND CONDITIONS.

## 14.0 Warranty information

The WHC\_5918A Wiser Home Controller carries a one-year warranty against manufacturing defects.

### Warranty Statement

The benefits conferred herein are in addition to, and in no way shall be deemed to derogate; either expressly or by implication, any or all other rights and remedies in respect to Schneider Electric product.

The warrantor is Schneider Electric, with registered offices worldwide. Please refer to <http://schneider-electric.com> for the nearest Schneider Electric office.

This Schneider Electric product is guaranteed against faulty workmanship and materials for a period of one (1) year from the date of installation.

Schneider Electric reserves the right, at its discretion, to either repair free of parts and labour charges, replace or offer refund in respect to any article found to be faulty due to materials, parts or workmanship.

This warranty is expressly subject to the Schneider Electric product being installed, wired, tested, operated and used in accordance with the manufacturer's instructions. Schneider Electric is not responsible if the product is not being used in the conditions specified in the Schneider Electric documents or in the standards that the product is supposed to meet.

All costs of a claim shall be met by Schneider Electric, however should the product that is the subject of the claim be found to be in good working order, all such costs shall be met by the claimant.

When making a claim, the consumer shall forward the Schneider Electric product to the nearest Schneider Electric office. The product should be returned securely packed, complete with details of the date and place of purchase, description of load, and circumstances of malfunction.

For all warranty enquiries, contact your local Schneider Electric sales representative. The address and contact number of your nearest Schneider Electric office can be found at <http://schneider-electric.com> or by telephoning Technical Support.





---

**Schneider Electric (Australia) Pty Ltd**

Contact us: [clipsal.com/feedback](http://clipsal.com/feedback)

**National Customer Care Enquiries:**

**Tel 1300 2025 25**

**Fax 1300 2025 56**

**clipsal.com**

Schneider Electric (Australia) Pty Ltd reserves the right to change specifications, modify designs and discontinue items without incurring obligation and whilst every effort is made to ensure that descriptions, specifications and other information in this catalogue are correct, no warranty is given in respect thereof and the company shall not be liable for any error therein.

© 2012 Schneider Electric. All Rights Reserved.  
Trademarks are owned by Schneider Electric Industries SAS or its affiliated companies.