

# MOBOTIX ExtIO

Ø 12 cm

## MOBOTIX Cam

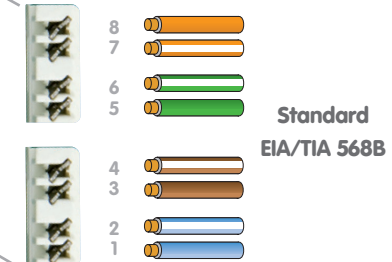
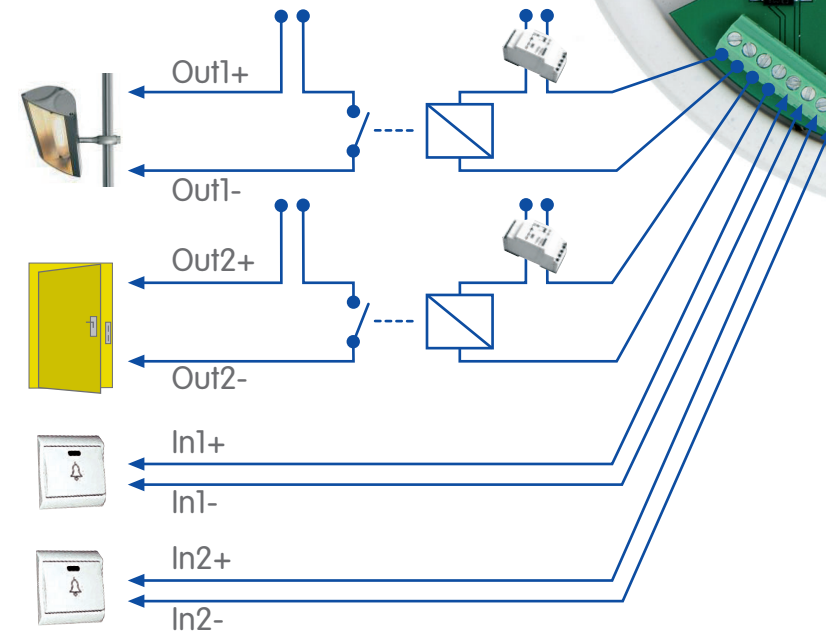
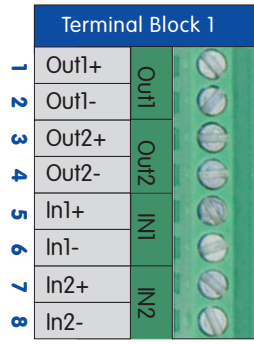
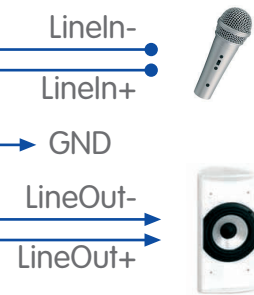
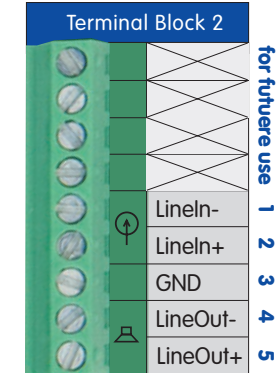
USB Connector

| PIN | Funktion |
|-----|----------|
| 1   | USB +5V  |
| 2   | USB D-   |
| 3   | USB D+   |
| 4   | GND      |

### Bestellnr. USB-Kabel

MX-EXTIO-D22-1  
 MX-EXTIO-D22-5  
 MX-EXTIO-D12-5  
 MX-EXTIO-M22-5  
 MX-EXTIO-M12-5

USB Connection



**MOBOTIX ExtIO**

Schemaplan    Rev.: 1.1    Juli 2008

Bestellnr.: MX-EXTIO (ohne Kamera)