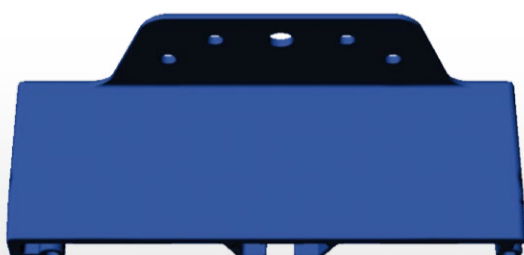


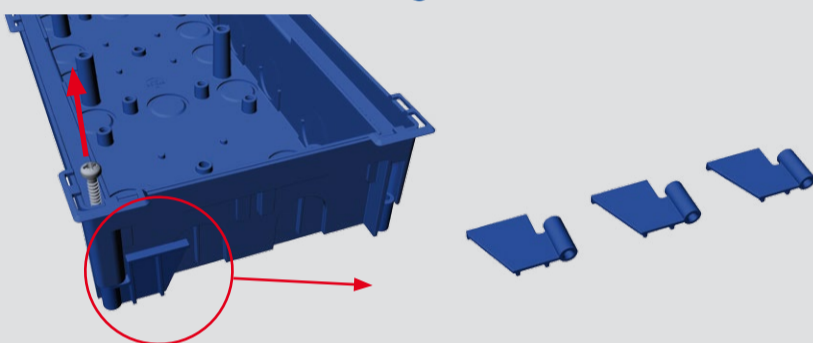


1x Bracket A



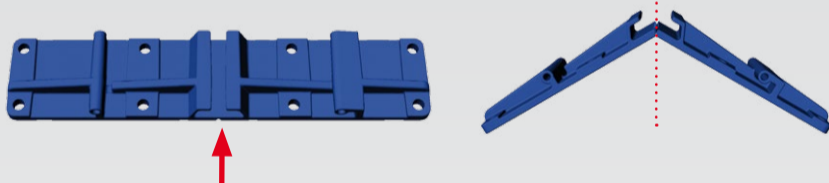
1x Bracket B
For double and triple socket with horizontal assembly

1. Disassemble All Four Wings:

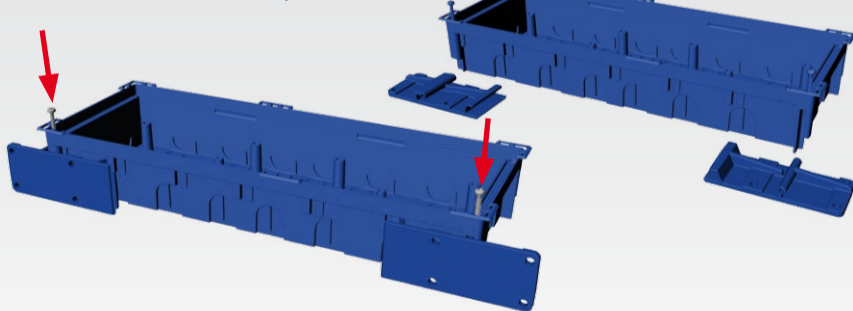


2. Vertical Socket Assembly

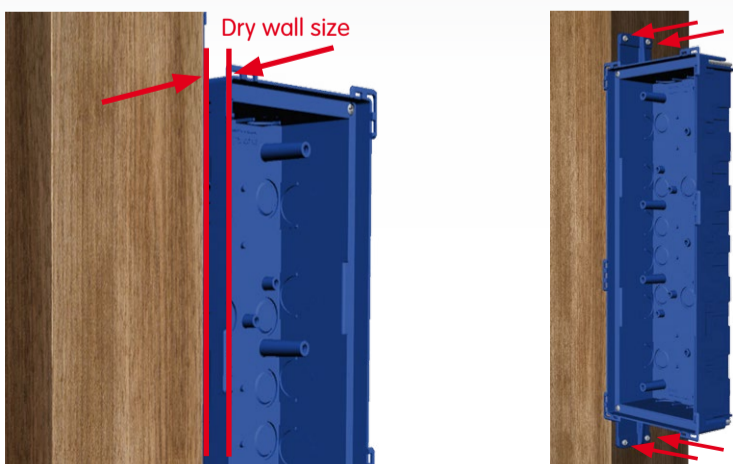
a) Break **bracket A** in the middle



b) Attach bracket parts



c) Make sure to leave enough space for the dry wall and assemble socket to the stud



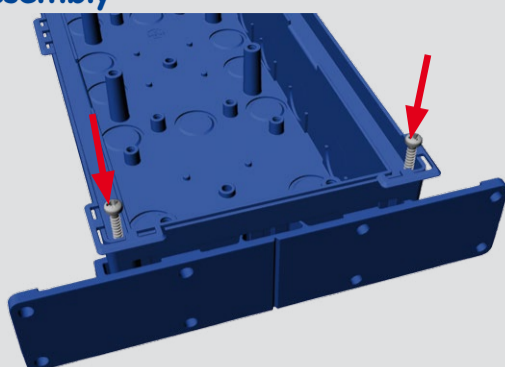
HiRes Video Innovations

The German company MOBOTIX AG is known as the leading pioneer in network camera technology and its decentralized concept has made high-resolution video systems cost efficient.

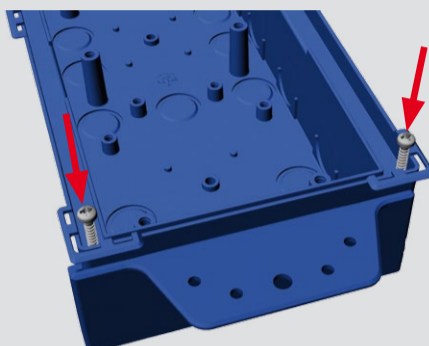
MOBOTIX CORP • Manhattan (NY) • Phone: 888-MOBOTIX (662 6849) • us-sales@mobotix.com • Made in Germany

3. Horizontal Socket Assembly

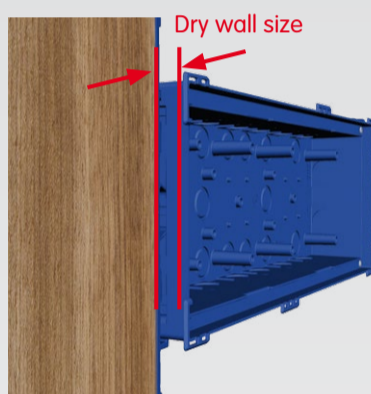
a) Attach bracket A



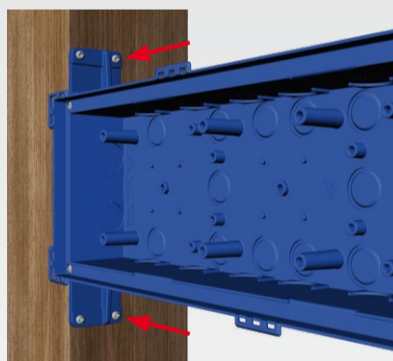
b) For double and triple sockets attach bracket B



c) Make sure to leave enough space for the dry wall



d) Attach socket to the stud



e) For double and triple sockets use bracket A and B

